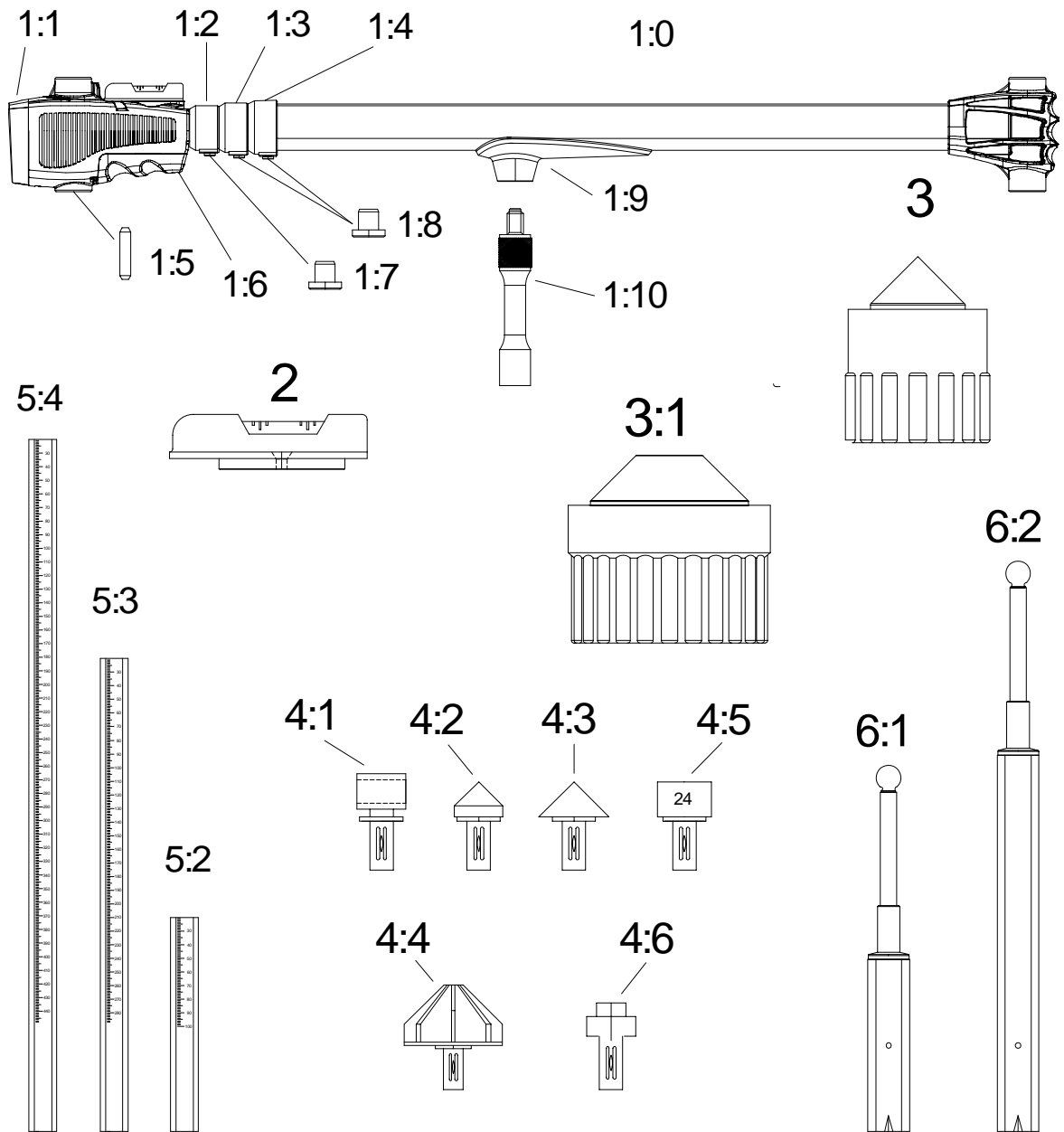


Spare parts - TECH DIGITAL SYSTEM



Pos	Art. No.	Name
1:0	XME 1910	Measuring tool
1:1	EMK 1375	Front + panel
1:2	EMC 1281	Collar 2
1:3	EMC 1291	Collar 3
1:4	EMC 1301	Collar 4
1:5	AVP1361	Friction stick
1:6	EMC 1380	Battery cover
	AVP 1450	Battery
1:7	AVP 1320	Locking for collar
1:8	AVP 1320-2	Locking for collar
1:9	EMK 1404	Slide
1:10	EMK 1403	Tip holder for slide
2	XME 1410	Level
3	EMC 1480	Chassis attachment Ø35

Pos	Art. No	Name
3:1	EMC 222	Chassis attachment Ø60
4:1	TB 3100	Tip holder 90°
4:2	TB 3000	Measuring tip Ø25
4:3	TB 2900	Measuring tip Ø35
4:4	TB 2800	Measuring tip Ø60
4:5	TEC 2000	Socket ø10-28 (state no when order)
4:6	AVP 2010	Adaptor M201 6-18 (state no when order)
5:2	EMK 1180	Measuring rod 164
5:3	EMK 1200	Measuring rod 264
5:4	EMK 1210	Measuring rod 414
6:1	AVP1110	Datum rod
6:2	AVP1130	Datum rod +100
	TEC 1401-D	Toolboard